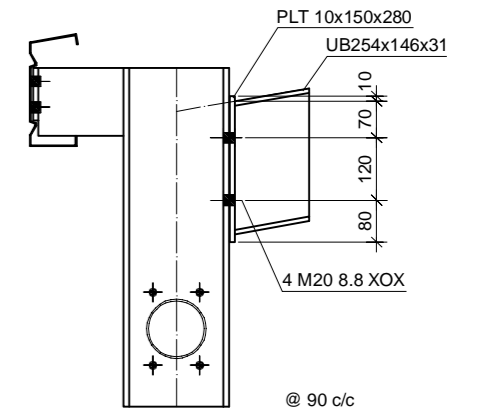
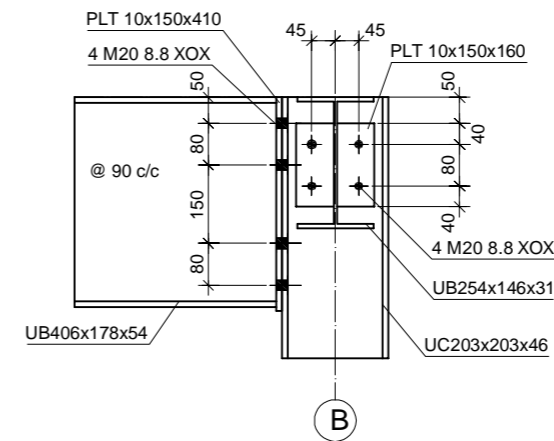
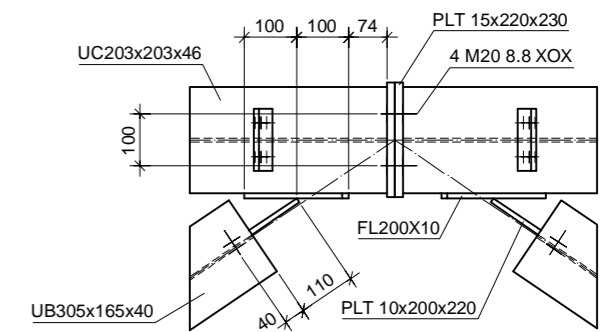


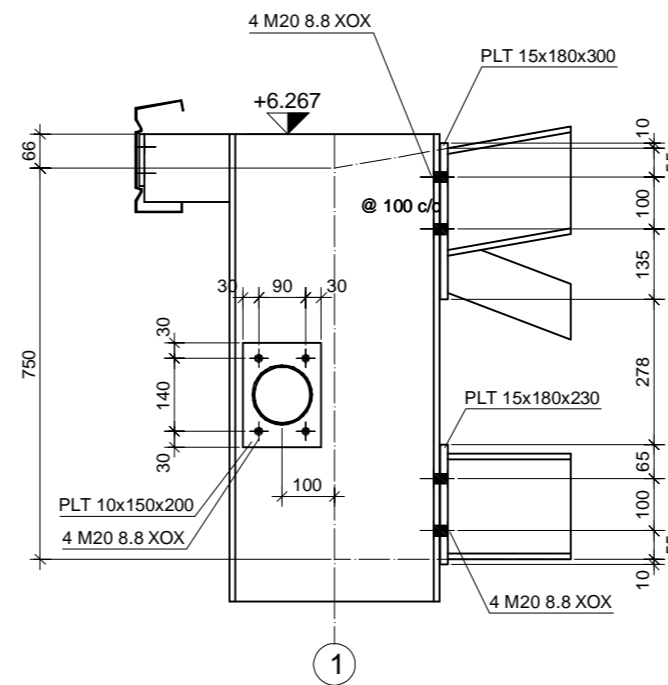
1st Floor Plan



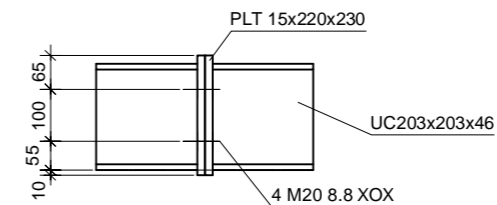
Gable & Jack Rafter Eaves Connection



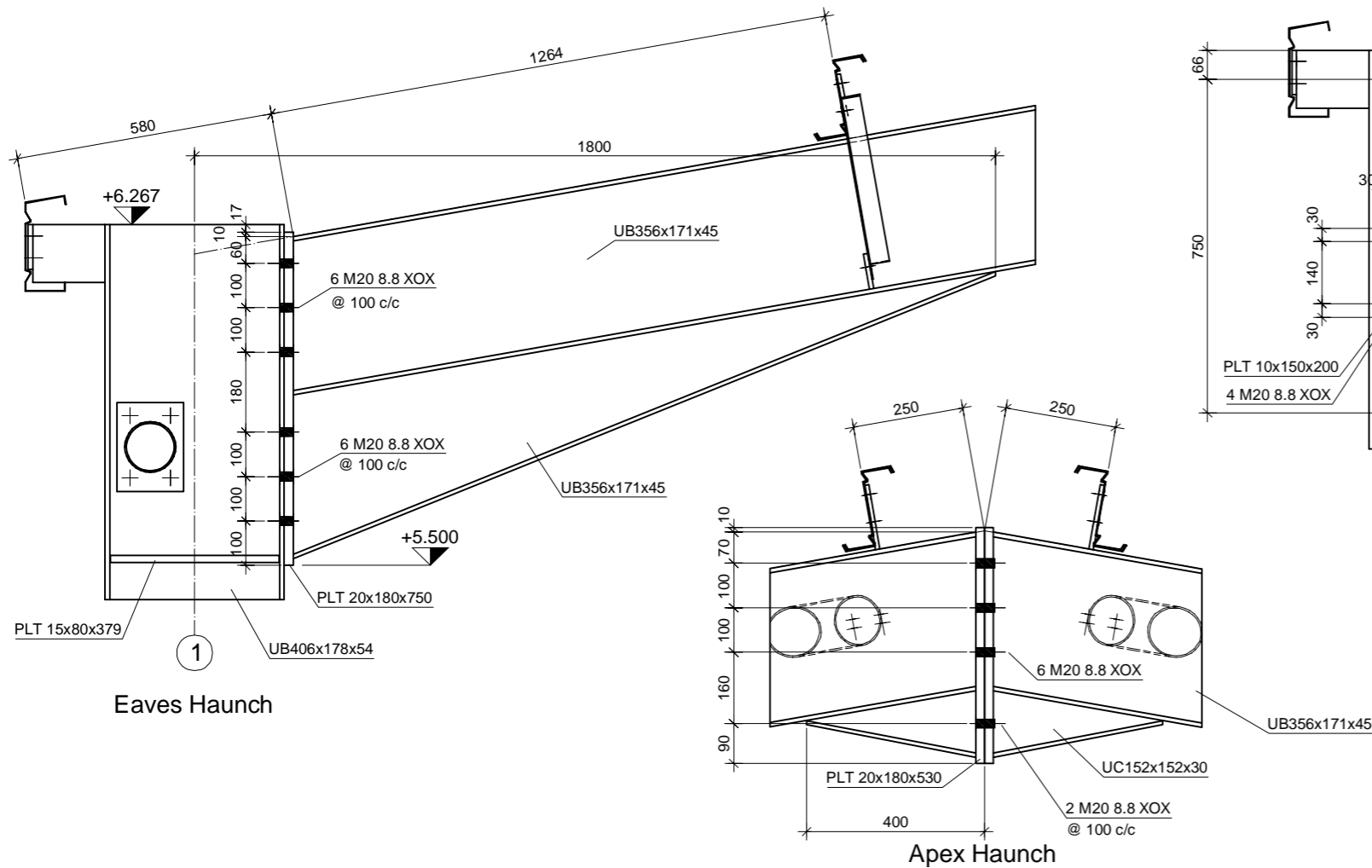
Truss Apex Connections




Truss Eaves Connection



Truss Bottom Splice



Index	Date	Description	Author
REVISIONS			
			
107 Comber Road Killybeggs Newblennady Co Down BT23 8PF www.tate-engineering.co.uk info@tate-engineering.co.uk			
CLIENT			
A Customer			
PROJECT			
First Floor			
DRAWING TITLE			
First Floor Plan and General Connection Details			
DRAWN BY	CHECKED BY	DATE	SCALE
ST	AD	17.7.04	Various
PROJECT No.		DRAWING No.	REV
HS 3456		[G] - 04	