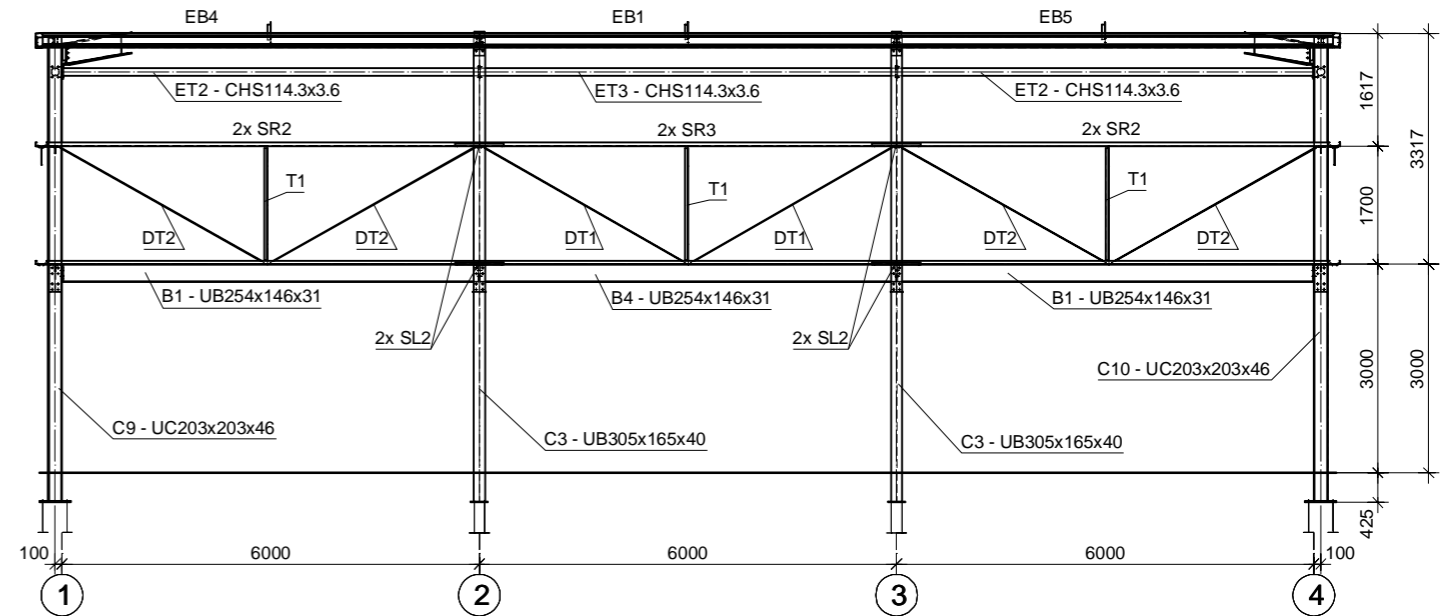
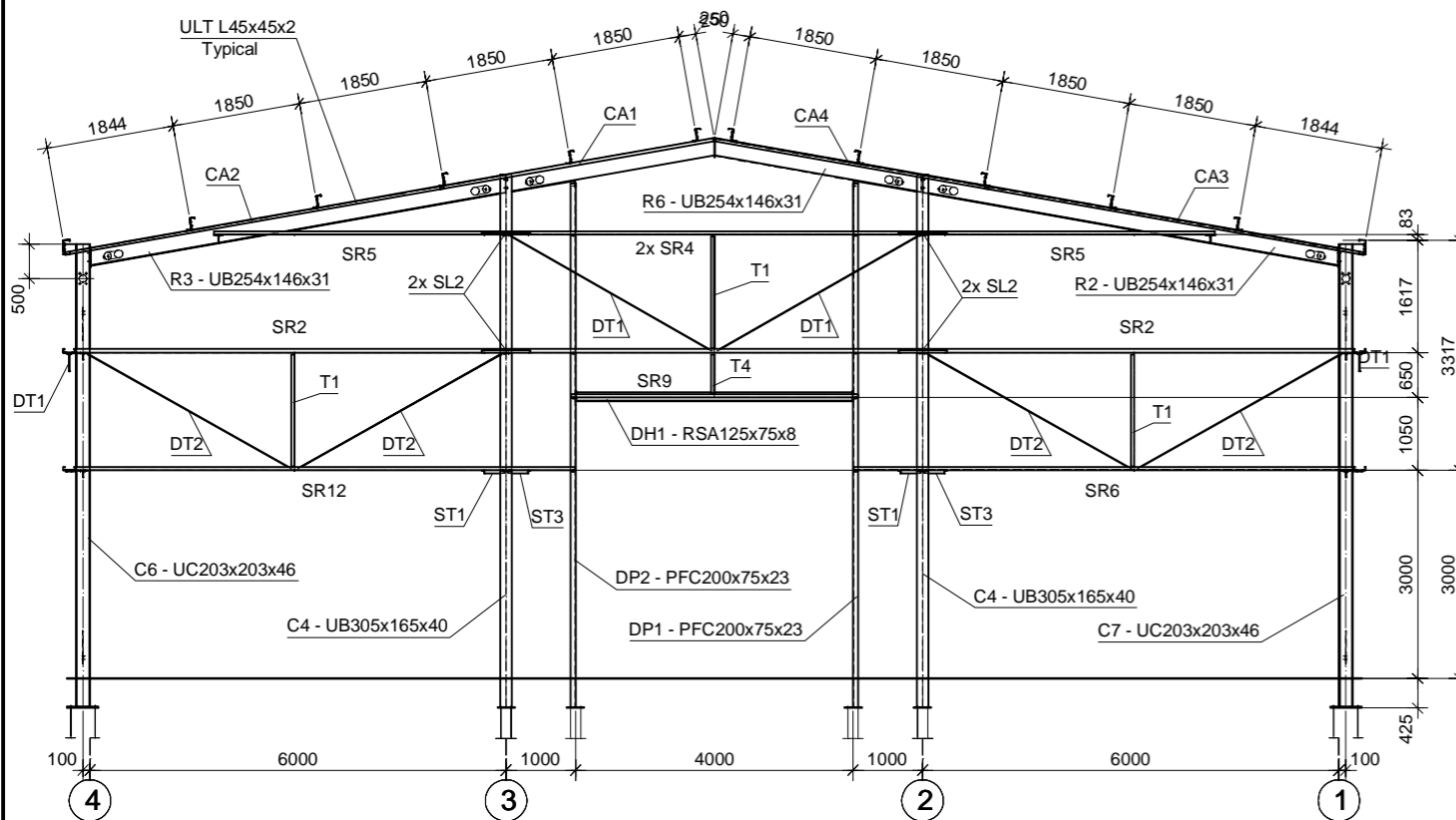


Elevation on Gridline 1

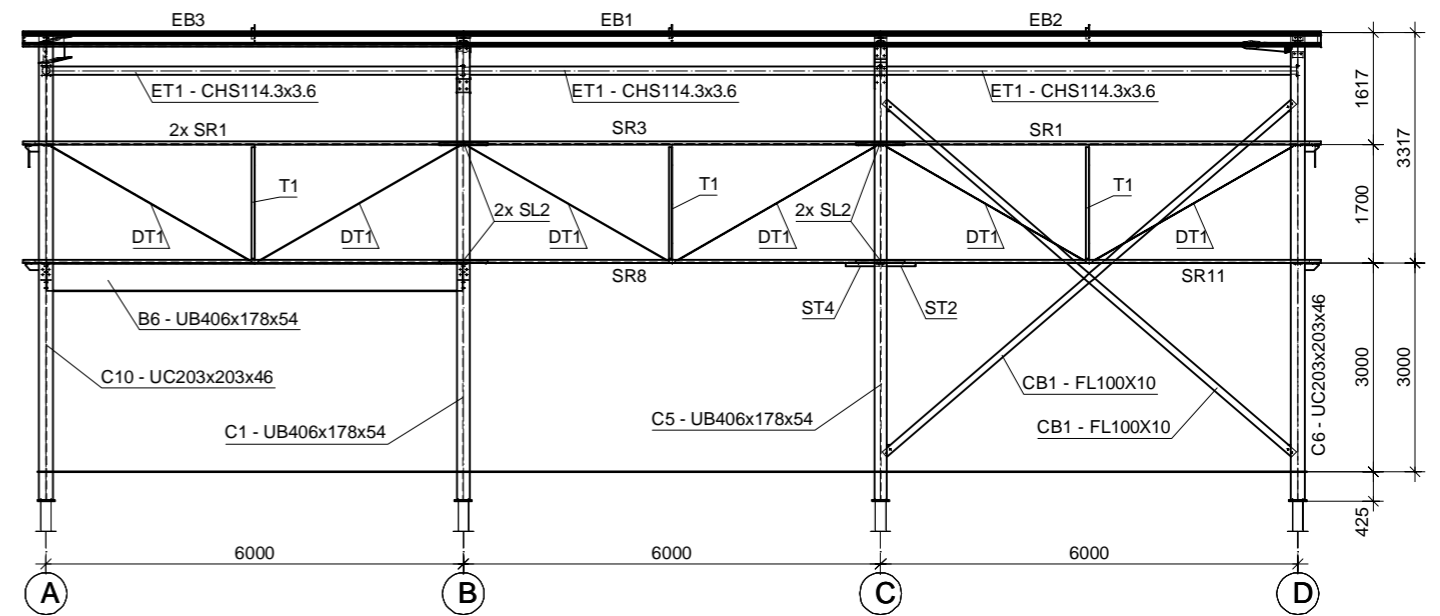


Elevation on Gridline A


All Rails UltraBeam 1705014



Elevation on Gridline D



Elevation on Gridline 4

Index	Date	Description	Author
REVISIONS			
			
CLIENT			
A Customer			
PROJECT			
Warehouse			
DRAWING TITLE			
Elevations			
DRAWN BY	CHECKED BY	DATE	SCALE
ST	AD	17.7.04	1:75
PROJECT No.	DRAWING No.	REV	
Ex3	[G] - 03		